

Correct Mounting Method—AP9551

How to Install the Rack PDU

Correction

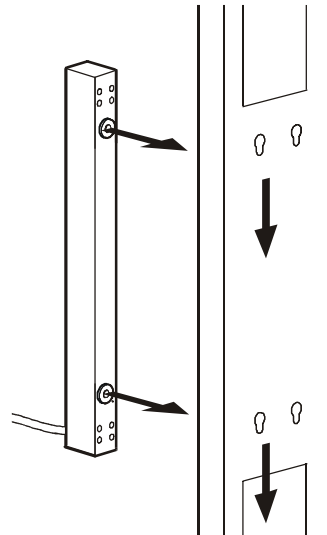
The manual included with your Rack PDU (990-6050A) shows an incorrect listing of included inventory. The 'Z' brackets are no longer included in the kit; however, they have been replaced by toolless mounting pegs that are attached to the rear of the PDU. Follow these directions when mounting the Rack PDU in a rack or enclosure.

Mounting options

Install the Rack PDU in the rear of the NetShelter VX Enclosure, in the cable channel directly behind the rear vertical mounting rails. You can install the Rack PDU in one of two ways: using toolless mounting pegs (attached) or the mounting brackets (provided).

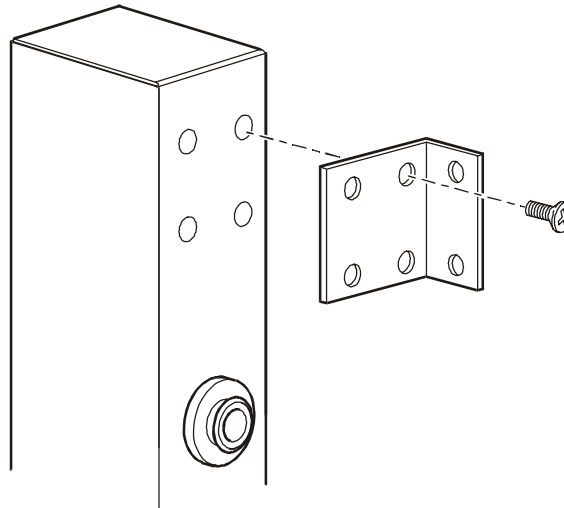
Toolless mounting

1. Slide the mounting pegs into the holes located in the channel in the rear panel of the enclosure.
2. Snap the Rack PDU into place by pushing it downward until it locks into position.



Bracket-mounting

1. Attach the mounting brackets to the rear of the Rack PDU, using four flat-head screws per bracket (provided).



2. Install the Rack PDU on a vertical mounting rail in your rack or enclosure.

