
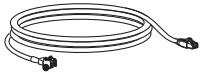
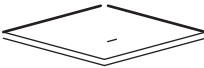



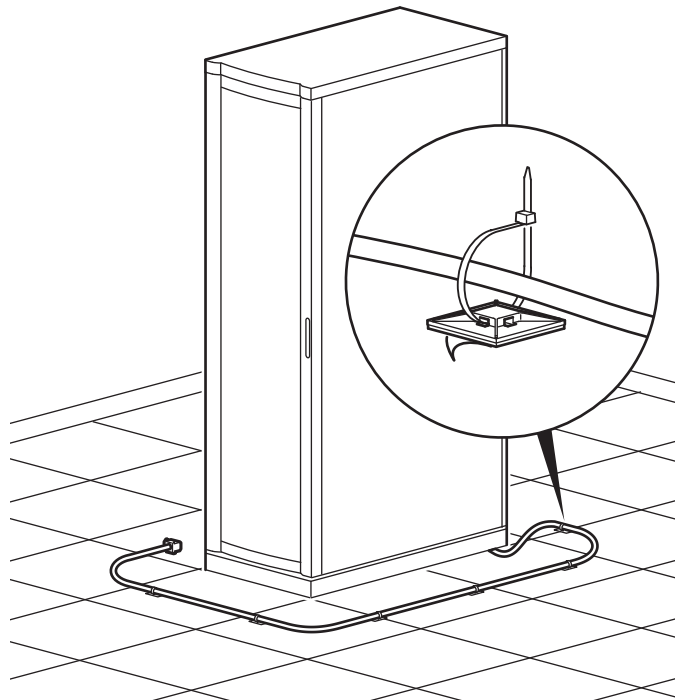
# Leak Sensor With Interface Cable— AP9325

## Components

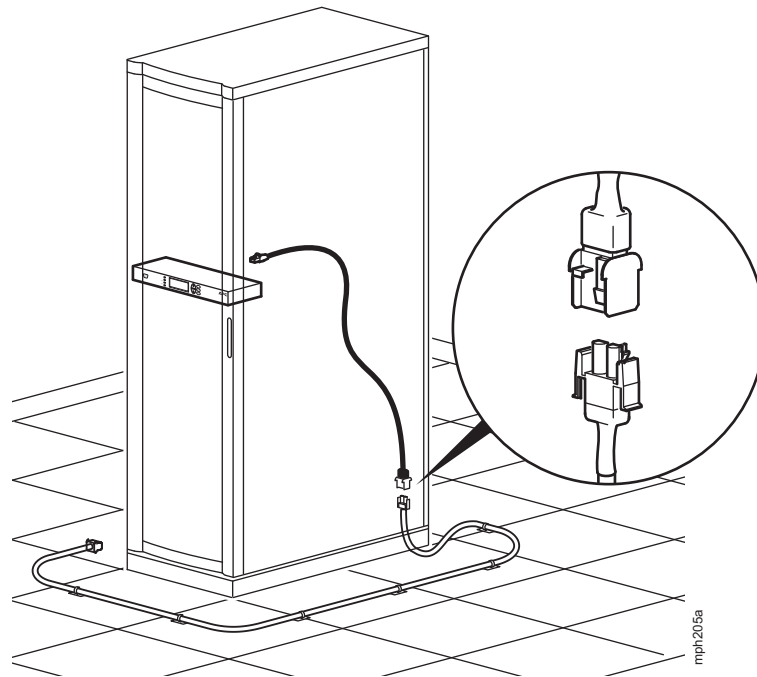
<b>NOTICE</b>	
<b>EQUIPMENT DAMAGE</b>	
Do not connect the leak sensor to anything other than the Environmental Management System; doing so could damage the sensor.	
<b>Failure to follow these instructions can result in equipment damage.</b>	

Leak Sensor 6.1 m (20 ft.)	Interface Cable	Grommet	Wire Tie
 (1)	 (1)	 (18)	 (18)

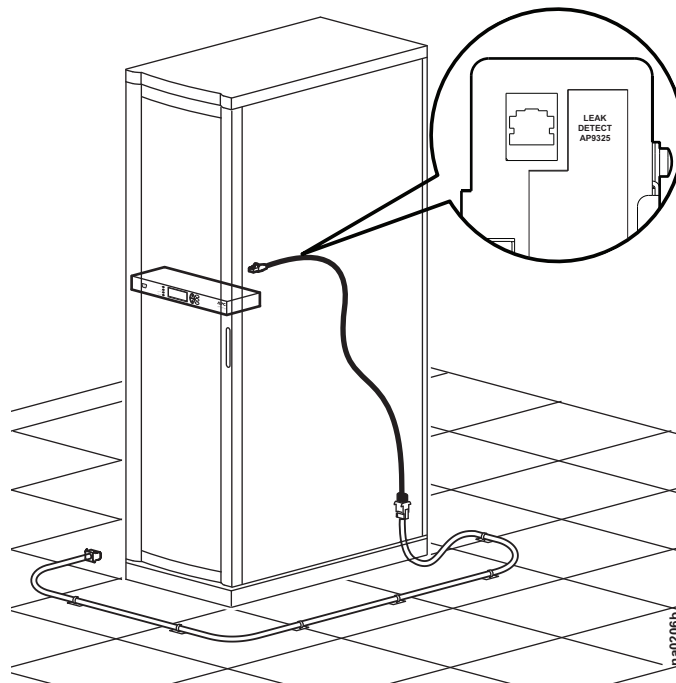
## Installation



## Leaks Sensor Connection to Interface Cable



## Interface Cable Connection to Leak Detect Port



Customer support and warranty information is available at the Schneider Electric Web site, [www.schneider-electric.com](http://www.schneider-electric.com).

As standards, specifications, and designs change from time to time, please ask for confirmation of the information given in this publication.  
All trademarks owned by Schneider Electric Industries SAS or its affiliated companies.

990-1361A  
10/2014